



概述 Description

SACB 系列是专为保护敏感电子设备免受雷电和其他瞬变电压事件引起的电压瞬变。

SACB series is designed specifically to protect sensitive electronic equipment from voltage transients induced by lightning and other transient voltage events.

应用 Applications

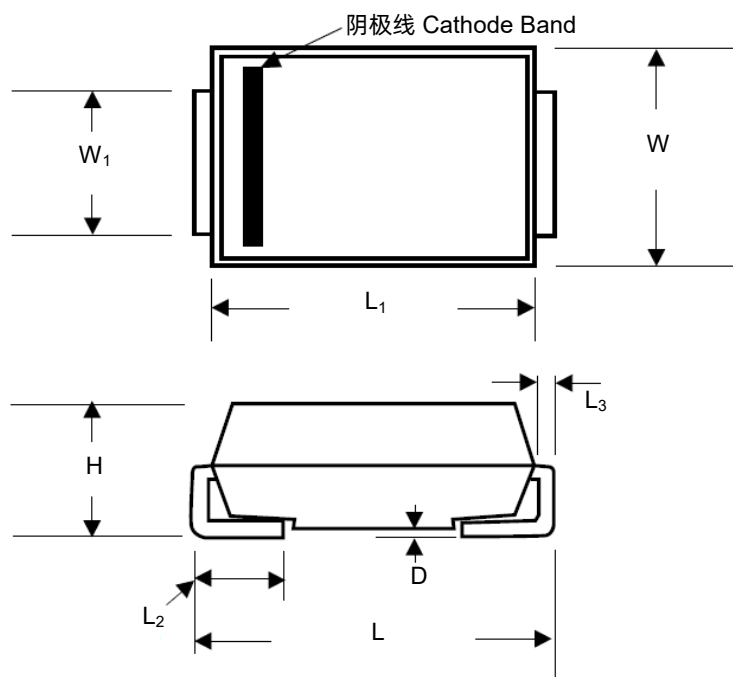
- 通信设备 Communication Equipment
- 安防 Security & Protection
- 工控设备 Industrial Control Equipment
- 电源 Power Supply
- 汽车电子 Automotive Electronics
- 新能源设备 New Energy
- 防雷保护 Lightning Protection

特性 Features

- 重复率0.01% 的10/1000 μ S 波形对应峰值脉冲功率500 W
- 表贴应用, 节约空间
- 小型化紧凑封装
- 内部结构去应力设计
- 典型的故障模式为电压或电流超过额定而导致的短路
- 锡须测试依据JEDEC JESD201A表4a和4c进行
- IEC 61000-4-2 ESD 30 kV (空气), 30 kV (接触)
- 数据线ESD保护符合IEC 61000-4-2
- 数据线EFT保护符合IEC 61000-4-4
- 温度系数典型值0.1%
- 玻璃钝化保护
- 快速响应时间: 从0 V到击穿电压时间小于1.0 PS
- 优异的箝位性能
- 低浪涌电阻
- 回流焊高温保证:260 °C /40 s
- 密封材料阻燃等级V-0
- 湿度敏感等级符合MSL 等级1
- 引脚镀锡
- 无卤素, 符合RoHS要求
- 无铅E3: 二级互连引线无铅, 端子镀锡(Sn) (IPC/JEDEC J-STD-609A.01)

- 500 W peak pulse capability at 10/1000 μ S waveform, repetition rate (duty cycles):0.01%
- For surface mounted applications in order to optimize board space
- Low profile package
- Built-in strain relief
- Typical failure mode is short from over-specified voltage or current
- Whisker test is conducted based on JEDEC JESD201A per its table 4a and 4c
- IEC-61000-4-2 ESD 30 KV (Air), 30 KV (Contact)
- ESD protection of data lines in accordance with IEC 61000-4-2
- EFT protection of data lines in accordance with IEC 61000-4-4
- $V_{BR} @ T_J = V_{BR}@25^\circ C \times (1 + \alpha T \times (T_J - 25))$
(αT : Temperature Coefficient, typical value is 0.1%)
- Glass passivated chip junction
- Fast response time: typically less than 1.0 PS from 0 V to BV min
- Excellent clamping capability
- Low incremental surge resistance
- High temperature reflow soldering guaranteed: 260 °C / 40 sec
- Plastic package is flammability rated V-0 per Underwriters Laboratories
- Meet MSL level1, per J-STD-020
- Matte tin lead-free plated
- Halogen free and RoHS compliant
- Pb-free E3 means 2nd level interconnect is Pb-free and the terminal finish material is tin(Sn) (IPC/JEDEC J-STD-609A.01)

封装尺寸 Package Outline Dimensions (DO-214AA)



DO-214AA (SMB J-Bend)

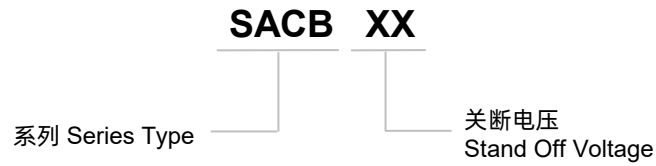
符号 Symbol	公制(毫米) Millimeters		英制(英寸) Inches	
	Min.	Max.	Min.	Max.
W ₁	1.950	2.200	0.077	0.086
L ₁	4.060	4.570	0.160	0.180
W	3.300	3.940	0.130	0.155
H	2.130	2.440	0.084	0.096
L ₂	0.760	1.520	0.030	0.060
D	-	0.203	-	0.008
L	5.210	5.590	0.205	0.220
L ₃	0.152	0.305	0.006	0.012

额定参数与特性 Maximum Ratings and Characteristics

(除另有注释, 默认T_A=25 °C Ratings at 25 °C ambient temperature unless otherwise specified.)

参数 Parameter	符号 Symbol	值 Value	单位 Unit
T _L =25 °C 时在10/1000 μS 波形下的峰值功耗(图 1) ⁽¹⁾ Peak Pulse Power Dissipation at T _L =25 °C by 10/1000 μs Waveform (fig.1)(Note 1)	P _{PPM}	500	W
峰值功耗,无限散热, T _L =50 °C Power Dissipation on Infinite Heat Sink at T _L =50 °C	P _D	3.0	W
工作温度范围 Operating Temperature Range	T _J	-65 to 150	°C
存储温度范围 Storage Temperature Range	T _{STG}	-65 to 175	°C

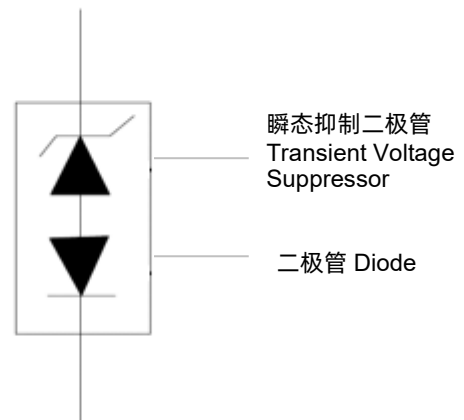
型号规则 Part Numbering System



标记 Marking



功能图 Functional Diagram



TVS

TVS

术语 Glossary

项目 Item	描述 Description
V_C	箝位电压 Clamping Voltage TVS在低差阻区域内的电压，用于限制设备两端的电压。 Voltage across TVS in a region of low differential resistance that serves to limit the voltage across the device terminals.
V_R	反向关断电压 Reverse Stand-off Voltage TVS 在没有导通状态下最高电压。 Maximum voltage that can be applied to the TVS without operation. 注：也用 V_{WM} （最高直流工作电压）表示，也称为截止电压(V_{so})。 NOTE : It is also shown as V_{WM} (maximum working voltage (maximum d.c. voltage)) and known as rated stand-off voltage (V_{so}).
I_R	反向漏电流 Reverse Leakage Current 量测 V_R 的电流。 Current measured at V_R . 注：也用 I_D 待机电流表示。 NOTE : Also shown as I_D for stand-by current.
V_{BR}	击穿电压 Breakdown Voltage 在击穿区以指定电流 I_T (测试电流)通过TVS的电压。 Voltage across TVS at a specified current I_T (test current) in the breakdown region.
I_{PPM}	额定随机重复峰值脉冲电流 Rated Random Recurring Peak Impulse Current 施加在设备上的随机重复峰值脉冲电流的最大额定值。 Maximum-rated value of random recurring peak impulse current that may be applied to a device.
$P_{M(AV)}$	额定平均功率 Rated Average Power Dissipation 所有电源(包括瞬态电流和待机电流)在短时间内平均产生的最大额定功耗。 Maximum-rated value of power dissipation resulting from all sources, including transients and standby current, averaged over a short period of time.
P_{PPM}	额定随机重复峰值脉冲功率 Rated Random Recurring Peak Impulse Power Dissipation 额定随机重复峰值脉冲电流(I_{PPM}) 和规定的最大箝位电压(V_C)乘积的最大额定值。 Maximum-rated value of the product of rated random recurring peak impulse current (I_{PPM}) multiplies by specified maximum clamping voltage (V_C).
C_J	电容 Capacitance 在规定的频率和电压下所测量的TVS电容。 Capacitance across the TVS measured at a specified frequency and voltage.

—(GB-T 18802.321 / IEC 61643-321 / JESD210A)

项目 Item	描述 Description
V_{FS}	<p>正向浪涌峰值电压 Peak Forward Surge Voltage</p> <p>在指定的正向浪涌电流(I_{FS})和持续时间下, 通过TVS的峰值电压。 Peak voltage across TVS for a specified forward surge current (I_{FS}) and time duration. 注: 也用V_F表示。 NOTE : Also shown as V_F.</p>
I_{FS}	<p>正向浪涌电流 Forward Surge Current</p> <p>在正向导通区域通过TVS的脉冲电流。 Pulsed current through TVS in the forward conducting region. 注: 也用I_F表示。 NOTE : Also shown as I_F.</p>
$\alpha_{V(BR)}$	<p>击穿电压温度系数 Temperature Coefficient of Breakdown Voltage</p> <p>击穿电压的变化与温度变化的比值。 The change of breakdown voltage divided by the change of temperature.</p>
I_{PP}	<p>峰值脉冲电流 Peak pulse Current</p> <p>施加在TVS上的峰值脉冲电流, 以确定箝位电压V_C的特定波形。 Peak pulse current value applied across the TVS to determine the clamping voltage V_C for a specified wave shape.</p>
I_T	<p>脉冲直流测试电流 Pulsed D.C. Test Current</p> <p>测量击穿电压V_{BR}的测试电流。该电流值由制造商确定, 通常以脉冲持续时间小于40 ms的毫安级电流给出。 Test current for measurement of the breakdown voltage V_{BR}. This is defined by the manufacturer and usually given in milliamperes with a pulse duration of less than 40 ms. 注: 也用I_{BR}表示。 NOTE : Also shown as I_{BR}.</p>

—(GB-T 18802.321 / IEC 61643-321 / JESD210A)

瞬态抑制二极管 TVS Diodes

Transient Voltage Suppression Diodes

SACB Series

电气特性 (除另有注释, 默认 $T_A=25^\circ\text{C}$)Electrical Characteristics ($T_A=25^\circ\text{C}$ unless otherwise noted) Table 1

型号 Part Number	标记代码 Device Marking Code	最小击穿电压 Min. Breakdown Voltage at $I_T=1\text{mA}$ V_{BR}	反向关断 电压 Reverse Stand-off Voltage V_R	最大反向 漏电流 Max. Reverse Leakage $I_R@V_R$	最大峰值 脉冲电流 Max. Peak Pulse Current I_{PPM}	最大箝位电压 Max. Clamping Voltage at $V_C@I_{PPM}=5.0$ A	最大结电容 Max. Junction Capacitance @0 Volts	反向阻断 电压 Working Inverse Blocking Voltage V_{WIB}	反向阻塞 漏电流 Inverse Blocking Leakage Current at I_{IB} @ V_{WIB}	峰值反向 阻断电压 Peak Inverse Blocking Voltage V_{PIB}
Uni	Uni	(V)	(V)	(μA)	(A)	(V)	(pF)	(V)	(mA)	(V)
SACB5.0	SKE	7.60	5.0	300	44.0	10.0	45	75	1.0	100
SACB6.0	SKG	7.90	6.0	300	41.0	11.2	45	75	1.0	100
SACB7.0	SKM	8.33	7.0	300	38.0	12.6	45	75	1.0	100
SACB8.0	SKR	8.89	8.0	100	36.0	13.4	45	75	1.0	100
SACB8.5	SKT	9.44	8.5	50	34.0	14.0	45	75	1.0	100
SACB10	SKX	11.10	10.0	5	29.0	16.3	45	75	1.0	100
SACB12	SLE	13.30	12.0	5	25.0	19.0	45	75	1.0	100
SACB15	SLM	16.70	15.0	5	20.0	23.6	45	75	1.0	100
SACB18	SLT	20.00	18.0	5	15.0	28.8	45	75	1.0	100
SACB22	SLX	24.40	22.0	5	14.0	35.4	45	75	1.0	100
SACB26	SME	28.90	26.0	5	11.1	42.3	45	75	1.0	100
SACB30	SMK	33.30	30.0	5	10.0	48.6	45	75	1.0	100
SACB36	SMP	40.00	36.0	5	8.6	60.0	45	75	1.0	100
SACB45	SMV	50.00	45.0	5	6.8	77.0	45	150	1.0	200
SACB50	SMZ	55.50	50.0	5	5.8	88.0	45	150	1.0	200

TVS

TVS

参考性能曲线(除有另外注释, 默认 $T_A=25^\circ\text{C}$)

Performance Curve for Reference($T_A=25^\circ\text{C}$ unless otherwise noted)

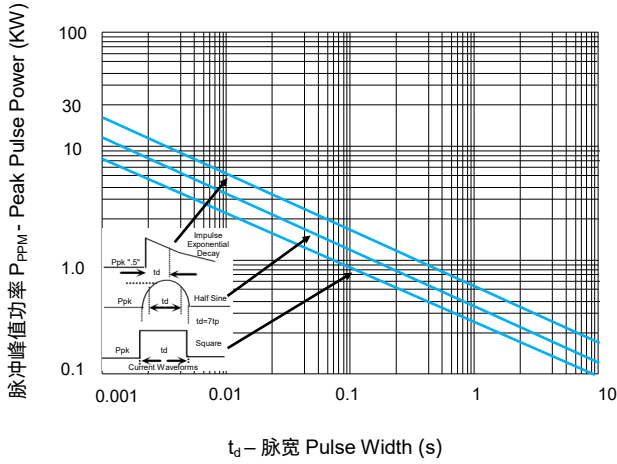


FIGURE 1 峰值脉冲功率额定曲线
Peak Pulse Power Rating Curve

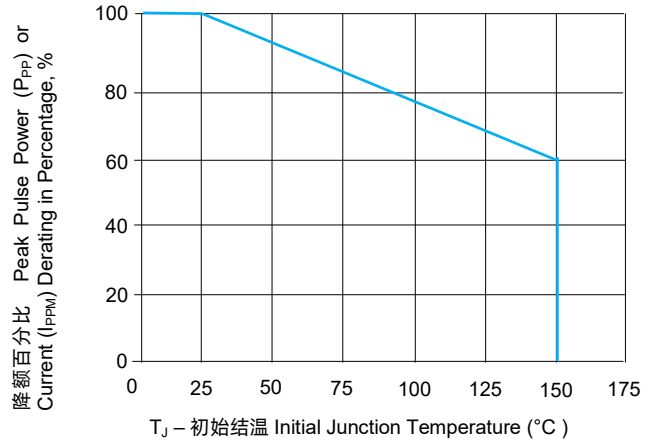


FIGURE 2 峰值脉冲功率降额曲线
Peak Pulse Power Derating Curve

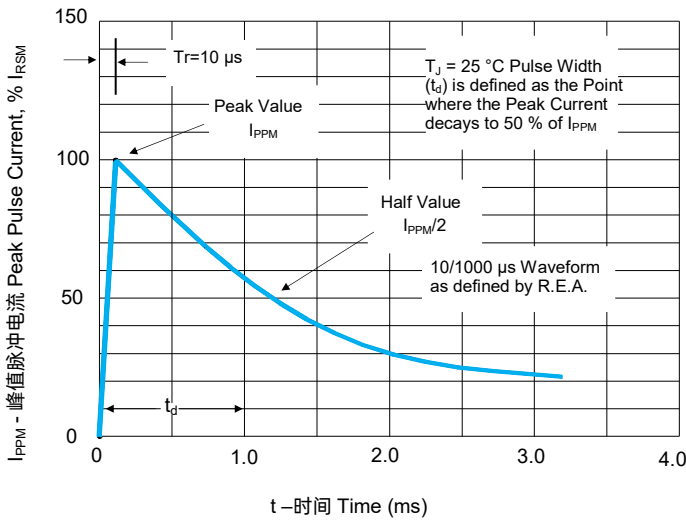
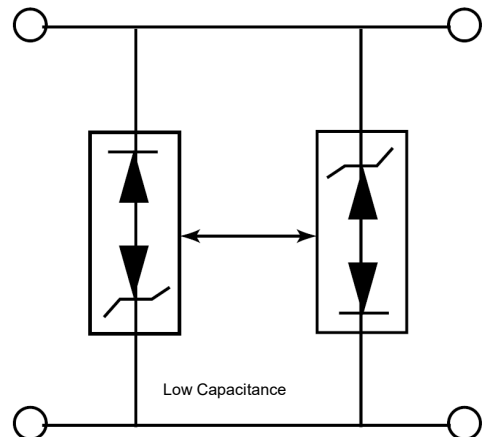


FIGURE 3 脉冲波形 Pulse Waveform



Application Note: Device must be used with two units in parallel, opposite in polarity as shown on circuit for AC signal line protection.

FIGURE 4 交流线路保护应用
AC Line Protection Application

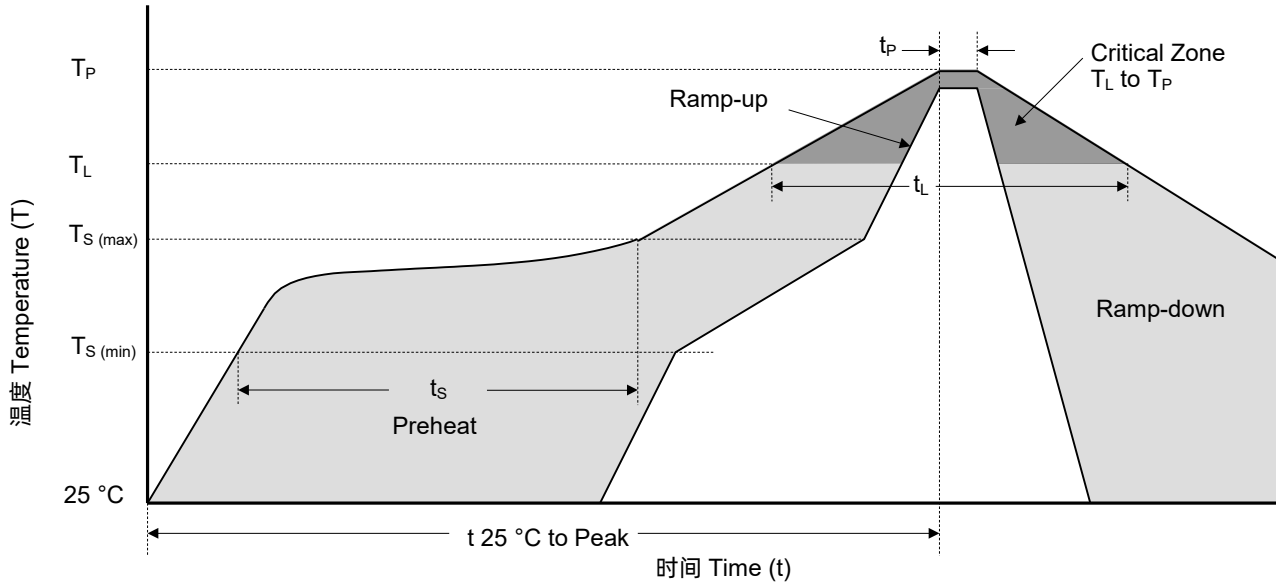
环境特性 Environmental Specifications

高温存储 High Temp. Storage	JESD22-A103
高温反偏 HTRB	JESD22-A108
温度循环 Temperature Cycling	JESD22-A104
湿度敏感性等级 MSL	JEDEC-J-STD-020, Level 1
高温高湿反偏 H3TRB	JESD22-A101
耐焊接热 RSH	JESD22-A111

物理特性 Physical Specifications

重量 Weight	0.003 oz., 0.093 g
封装 Case	JEDEC DO-214AA molded plastic body over glass passivated junction.
极性 Polarity	Color band denotes cathode except Bidirectional
端子 Terminal	Matte Tin-plated leads. Solderable per JESD22-B102.

焊接参数 Soldering Parameters



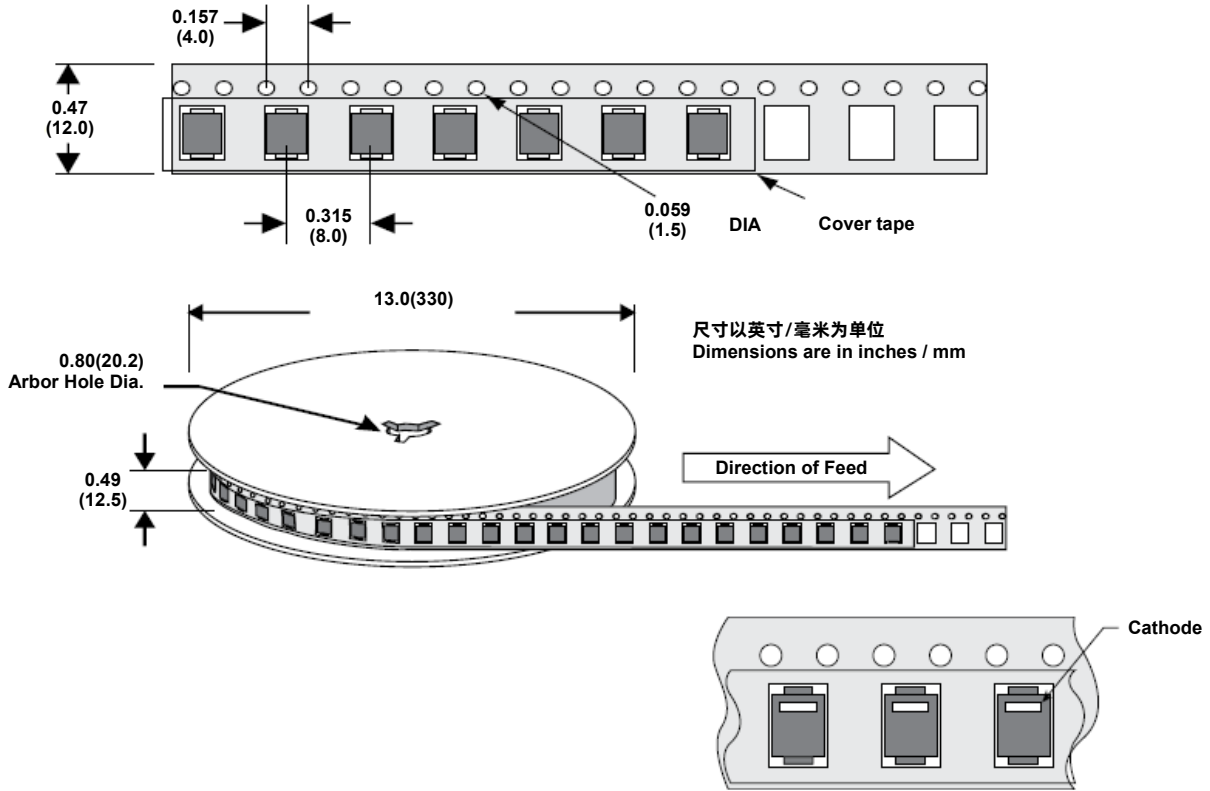
回流焊条件 Reflowing Condition

回流焊接参数 Reflow Soldering Parameters		无铅组装 Lead-Free Assembly
预热 Pre-heat	最低温($T_{S(min)}$) Temperature Min ($T_{S(min)}$)	150 °C
	最高温($T_{S(max)}$) Temperature Max ($T_{S(max)}$)	200 °C
	升温时长(t_s) Time (min to max) (t_s)	60 ~ 120 seconds
平均升温速率(液相温度(T_L)至峰值温度(T_P)) Average Ramp-up Rate (Liquidus Temp (T_L) to Peak Temp (T_P))		3 °C / second max.
$T_{S(max)}$ 到 T_L 升温速率 $T_{S(max)}$ to T_L Ramp-up Rate		3 °C / second max.
回流 Reflow	温度 Temperature (T_L) (Liquidus)	217 °C
	时长 Time (min to max) (t_L)	60 ~ 150 seconds
峰值温度 Peak Temperature (T_P)		260 ^{+0/-5} °C
实际峰值温度 (t_P) 5 °C 以内的时间 Time of within 5 °C of Actual Peak Temperature (t_P)		20 ~ 40 seconds
降温速率 Ramp-down Rate		6 °C / second max.
25 °C 至峰值温度时长 Time from 25 °C to Peak Temperature		8 Minutes max.
极限温度 Do Not Exceed		260 °C

波峰焊 Wave Soldering (浸焊 Solder Dipping)

峰值温度 Peak Temperature	260 °C+0 /- 5 °C
浸润时间 Dipping Time	10 seconds
焊接次数 Soldering Number	1 time

包装信息 Packaging Information



型号 Part Number	封装 Package	卷盘数量 QTY (Reel)	包装选项 Packaging Option	包装规格 Packaging Specification
SACBXX	DO-214AA	3000 PCS	Tape & Reel - 12 mm tape/13" reel	EIA RS-481



注意

ATTENTION

使用方法 Usage

1. 请在规定的温度范围内使用TVS。
TVS must be operated in the specified ambient temp.
2. 请勿使用强极性溶剂清洗TVS以免破坏封装层。
Do not clean the TVS with strong polar solvent such as ketone, esters, benzene and halogenated hydrocarbon, to avoid damaging the encapsulating layer.
3. 请勿对TVS施加剧烈的振动，冲击或压力，以避免元件开裂。
Please do not apply severe vibration, shock or pressure to TVS, to avoid element cracking.

更换 Replacement

1. 若TVS出现可视化损伤，请将其更换。
If TVS is visually damaged, please replace it.
2. TVS为非修理型产品，安全起见，请更换同等规格的TVS。
TVS is a non-repairable product. For safety sake, please use equivalent TVS for replacement.

存储 Storage

1. 存储温度范围。
Storage Temp. Range: (-55 to 150) °C.
2. 请勿将TVS存放于高温高湿或腐蚀性气体环境中，已避免影响引脚的焊接性能，请于收货后一年内进行使用。
Do not store the TVS at the high temp., high humidity or corrosive gas environment, to avoid influencing the solder-ability of the lead wires. The product shall be used up within 1 year after receiving the goods.

环境条件 Environmental Conditions

1. 请勿暴露于室外阳光直射环境。
TVS should not be exposed to the open air, nor direct sunshine.
2. 请避免雨水，水汽等高温高湿环境。
TVS should avoid rain, water vapor or other condition of high temp. and high humidity.
3. 请避免沙尘，盐雾等有害环境。
TVS should avoid sand dust, salt mist, or other harmful gases.

TVS最大典型结电容 Max. Typical Capacitance of TVS

高频线路应用中请参照规格书中所给出的典型电容曲线。

The typical capacitance of TVS is listed in the specifications. Designers may refer to it when designing TVS in high frequency circuit.

安装机械应力 Installation Mechanical Stress

1. 安装TVS时请避免敲击，防止物理损伤。
Do not knock TVS when installing, to avoid mechanical damage.
2. 请不要对 TVS 施加剧烈的振动、冲击或压力，以免表面树脂或元件破裂。
Please do not apply severe vibration, shock or pressure to TVS, to avoid surface resin or element cracking.