

热保护型压敏电阻 TFMOV

Thermally Protected Varistors



TFMOV

TFMOV

特性 Features

- 高可靠性 High Reliability
- 小体积 Small Size
- 失效指示遥信引脚
Remote Signal Contact for Failure Indication
- 高通流量 High Energy Capacity
- 密封材料阻燃等级V0
Sealing Material, Flame-retardant to V0 (UL 94)
- 依据UL 1449 / IEC 61643-11 设计制造
Comply with UL 1449 / IEC 61643-11

应用 Applications

- 通信设备 Telecom Equipment
- 组串逆变器 String Inverter in Photovoltaic System
- 交直流电源 AC / DC Power Supply
- 不间断电源 Uninterruptable Power Supply (UPS)
- 电涌保护器 Surge Protective Device (SPD)
- 电表 Electric Meter
- 电源分配单元 Power Distribution Unit (PDU)

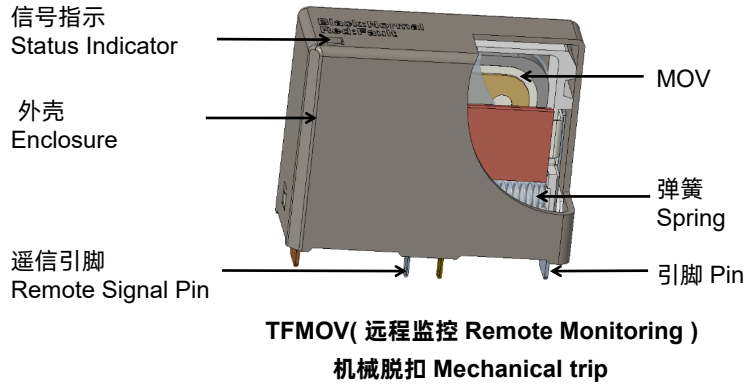
热保护型压敏电阻 (TFMOV)-机械脱扣型特性与型号概览
Thermally Protected Varistors (TFMOV) Feature & Model List Overview

额定电压 U_n (V)		标称放电电流 Nominal Discharge Current I_n (kA)				最大连续工作电压 Maximum Continuous Operating Voltage U_n (V)		型号 Model
AC	DC	5	10	20	20	AC	DC	
690V	600V	TFMOV05M750	○	TFMOV20M750	○	750	1000	
		TFMOV05M680	TFMOV10M680	TFMOV20M680	TFMOV25M680TI	680	895	
480V	400V	TFMOV05M625	○	TFMOV10M625	○	625	825	
		TFMOV05M550	TFMOV10M550	TFMOV20M550	TFMOV25M575TI	575	745	
347V	254	TFMOV05M510	TFMOV10M510	TFMOV20M510	TFMOV25M550TI	550	670	
		TFMOV05M510	TFMOV10M510	TFMOV20M510	TFMOV25M510TI	510	615	
220	230V	TFMOV05M460	○	TFMOV20M460	○	460	560	
		TFMOV05M420	TFMOV10M420	TFMOV20M420	TFMOV25M440TI	440	505	
220	277V	TFMOV05M385	TFMOV10M385	TFMOV20M385	TFMOV25M385TI	385	415	
		TFMOV05M350	TFMOV10M350	TFMOV20M350	○	350	385	
110V	110V	TFMOV05M320	TFMOV10M320	TFMOV20M320	○	320	350	
		TFMOV05M300	TFMOV10M300	TFMOV20M300	○	300	320	
110V	120	TFMOV05M275	TFMOV10M275	TFMOV20M275	○	275	300	
		TFMOV05M250	TFMOV10M250	TFMOV20M250	○	250	275	
60V	60V	TFMOV05M230	TFMOV10M230	TFMOV20M230	○	230	250	
		TFMOV05M210	TFMOV10M210	TFMOV20M210	○	210	225	
48V	48V	TFMOV05M190	TFMOV10M190	TFMOV20M190	○	190	200	
		TFMOV05M175	TFMOV10M175	TFMOV20M175	○	175	180	
36V	36V	TFMOV05M150	TFMOV10M150	TFMOV20M150	○	150	170	
		TFMOV05M140	TFMOV10M140	TFMOV20M140	○	140	150	
24V	24V	TFMOV05M130	TFMOV10M130	TFMOV20M130	○	130	125	
		TFMOV05M115	TFMOV10M115	TFMOV20M115	○	115	100	
12V	12V	TFMOV05M95	TFMOV10M95	TFMOV20M95	○	95	85	
		TFMOV05M75	TFMOV10M75	TFMOV20M75	○	75	65	
		TFMOV05M60	TFMOV10M60	TFMOV20M60	○	60	56	
		TFMOV05M50	TFMOV10M50	TFMOV20M50	○	50	45	
		○	○	○	○	40	38	
		○	○	○	○	35	31	
		○	○	○	○	30	26	
		○	○	○	○	25	22	

热保护型压敏电阻 TFMOV

Thermally Protected Varistors

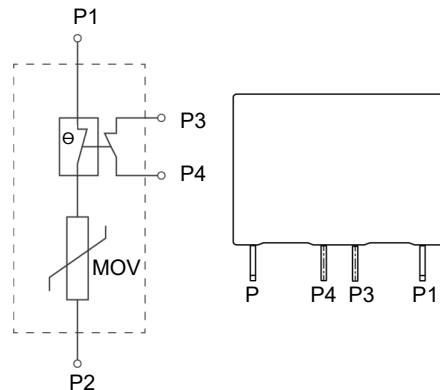
产品描述 Description



热保护型压敏电阻（TFMOV）是压敏电阻与热保护脱离部件的组合。压敏电阻存在老化特性，热保护型压敏电阻能够在压敏电阻（MOV）劣化或失效时，通过热保护部件的动作将压敏电阻从主回路中脱离。常用于光伏逆变器，通信设备，机房电源等对可靠性和耐候性要求高的场所。

TFMOV is a combination of varistors (MOV) and thermal protection component. Since varistor has the characteristics of aging or degrading; TFMOV can separate the varistor from the main circuitry by opening the thermal protection component when the varistor (MOV) degrades or fails. It is often used in which requires high reliability and weather withstanding, such as photovoltaic inverters, communication equipment, and power supplies in data centers, etc.

电气原理图 Schematics

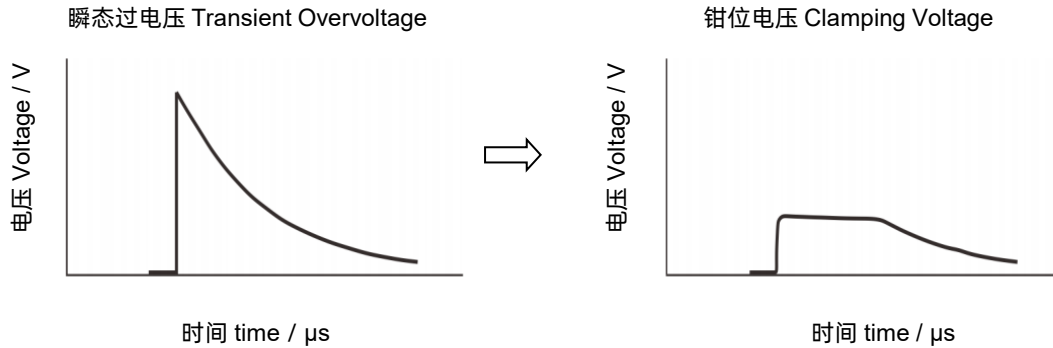


TFMOV(远程监控 Remote Monitoring)
机械脱扣 Mechanical trip

热保护型压敏电阻 TFMOV

Thermally Protected Varistors

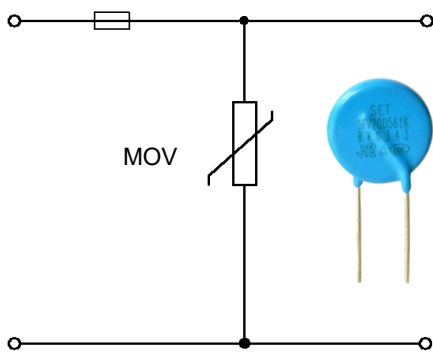
压敏电阻工作原理 MOV Operation Principle



热保护压敏电阻 Thermal Protection MOV

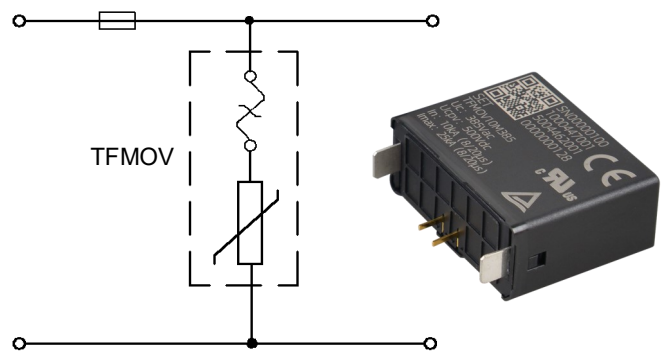
图a为电源常用的电涌保护电路，采用MOV来抑制电涌电压，保护后续电路。由于压敏电阻在劣化或失效时，存在燃烧的风险。在图b高可靠性电涌保护电路中，为了提高电路安全性，采用热保护型压敏电阻TFMOV作为浪涌电压保护元件。热保护型压敏电阻（TFMOV）是压敏电阻与热保护脱离部件的组合。在MOV 温度异常超限时，温度保险丝会先断开，从而使MOV 的失效模式呈现开路失效。

Figure a is a surge protection circuit commonly used in power supplies. MOV is used to suppress the surge voltage and protect the subsequent circuit. There is a risk of burning when the varistor degrades or fails. In the high-reliability surge protection circuit of Figure b, in order to improve the safety of the circuit, a thermal protection varistor TFMOV is used as the surge voltage protection element. TFMOV is a combination of varistors (MOV) and thermal protection component. When the temperature of the MOV is abnormally exceeded, the thermal fuse will be opened first, so that the failure mode of the MOV appears to be open-circuit failure.



图a 电涌保护典型电路

Figure a Typical surge protection circuit



图b 电涌保护高可靠性电路

Figure b: High reliability surge protection circuit

TFMOV

TFMOV

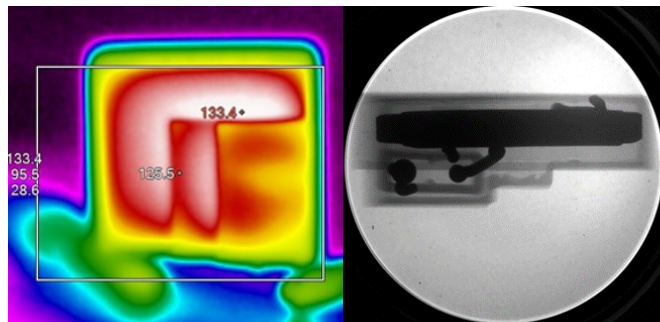
热保护型压敏电阻 TFMOV

Thermally Protected Varistors

优势 Benefits



安全 Safety



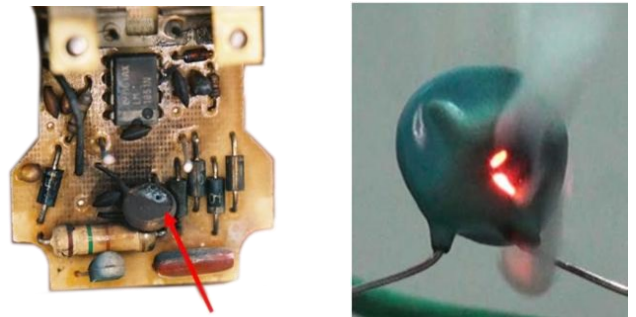
模拟TFMOV劣化失效
TFMOV Failure Simulation

TFMOV利用温度保险丝受热熔断的特性，在压敏电阻电性能劣化的过程中，当漏电流才达到数十毫安时，温度保险丝断开，形成如上图所示的开路失效，是可接受的安全失效。

During the electrical performance degrading of varistor, the inbuilt ATCO will open the circuit when the leakage current of varistor increases to tens of micro Amperes. As shown in the figure above, this is a safe open circuit failure.



安全隐患 Hidden Danger



压敏电阻穿孔
Hole in Varistor

模拟MOV劣化失效
MOV Failure Simulation

众所周知，压敏电阻在使用过程中会出现电性能劣化，绝大多数会呈现压敏电压下降、漏电流增加，因热量累积导致温度剧升，使得压敏电阻出现如上图的热击穿而短路失效，存在安全隐患！

The electrical performance of varistor degrades with operating, mostly the varistor voltage drops, and leakage current increases. The heat accumulation can cause the temperature increase sharply and varistor results in thermal breakdown to short circuit status. It's very dangerous.

TFMOV

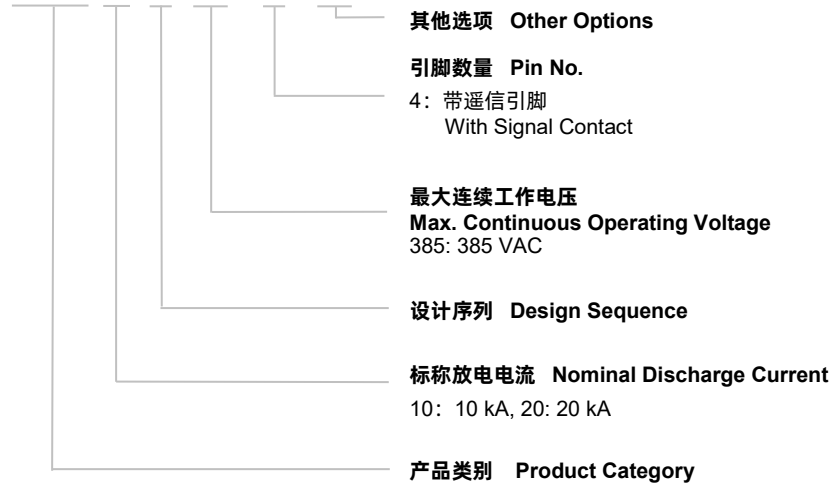
TFMOV

热保护型压敏电阻 TFMOV

Thermally Protected Varistors

型号说明 Part Numbering System

TFMOV 20 M 385 - 4 - 001



备注 Note:

引脚数量和其他选项仅作为内部唯一规格的识别编码，不作为产品型号一部分。

Pin number and other options are used only as identification codes for internal unique specifications and are not part of the product model

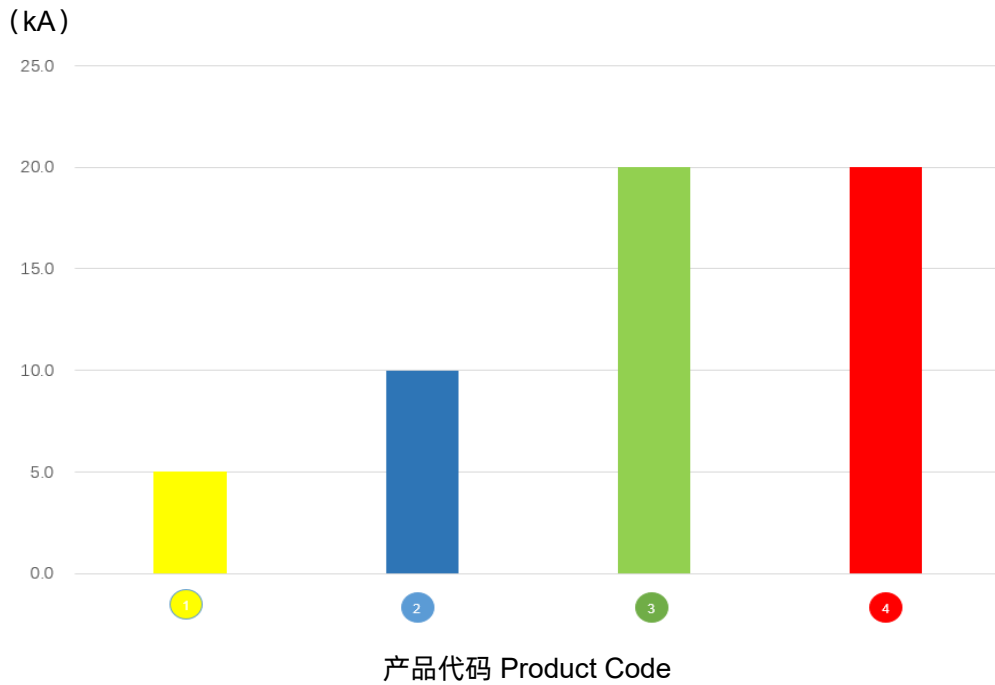
TFMOV

TFMOV

热保护型压敏电阻 TFMOV

Thermally Protected Varistors

标称放电电流 Nominal Discharge Current



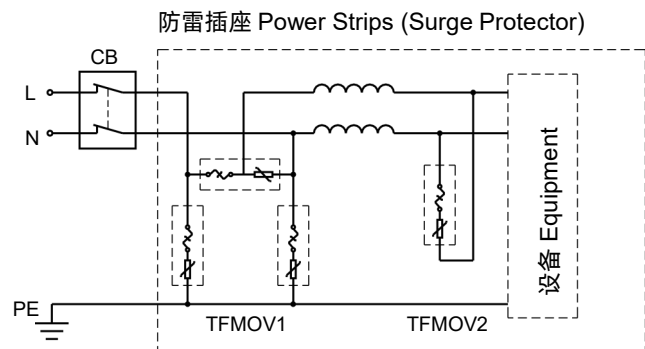
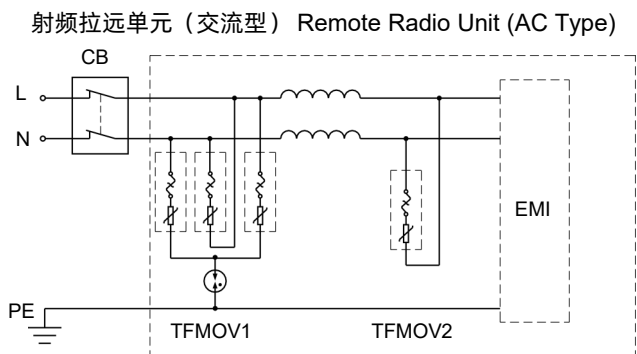
1 TFMOV05M Series

2 TFMOV10M Series

3 TFMOV20M Series

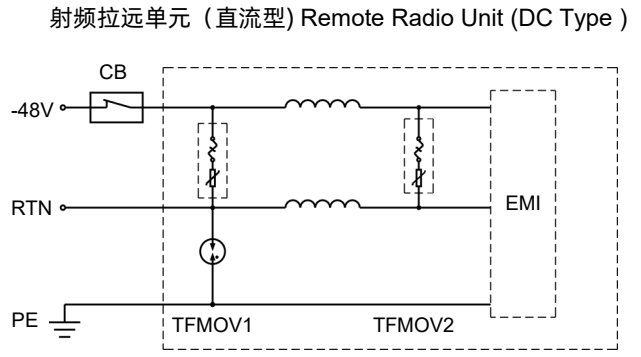
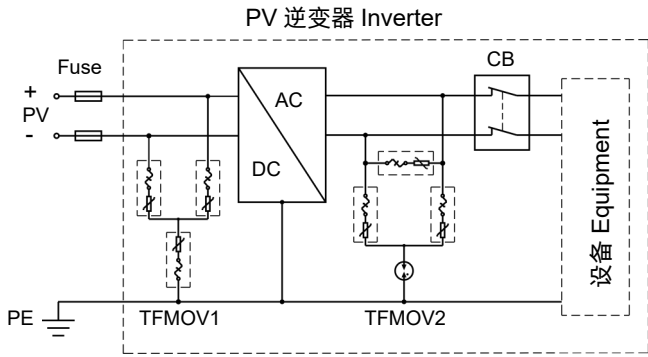
4 TFMOV25M Series

应用示例 Application Options



热保护型压敏电阻 TFMOV

Thermally Protected Varistors



设计 Design

当单一器件的通流容量无法达到设计要求时，通常采用并联的方式满足需求，由于其非线性的电流-电压特性，并联使用过程中应注意以下事项：

1. 需要选用同一厂家，同一型号的压敏电阻进行并联；
2. 需要控制压敏电阻的压敏电压；通常，同一组中间的压敏电压偏差小于1%（最大与最小之间），同时满足下一条；
3. 按平均分配计算的通流容量并留有10%以上的裕量；
4. 设计时需要考虑回路中的浪涌电流均匀分布，如图2。

When a single TFMOV surge capacity can't meet the requirement of customers, paralleling more TFMOVs is recommended.

Due to its nonlinear current-voltage characteristics, please pay attention to below tips:

1. Use the TFMOV from the same manufacturer with same model to parallel.
2. Control the varistor voltage; Typically, the varistor voltage deviation should be less than 1% in the same group (between the Max and Min), and meet the next tip at the same time.
3. Calculate the average surge capacity for each TFMOV and keep a margin at least 10%.
4. Design the layout like Figure.2. to make sure the surge capacity is divided averagely.

错误的设计 The Design not Recommended

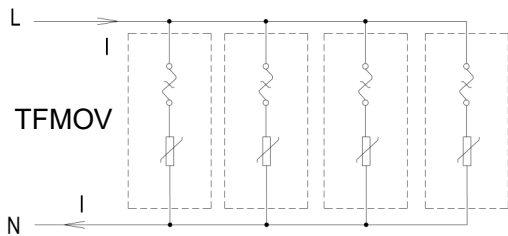


图 Figure.1

推荐的设计 The Design Recommended

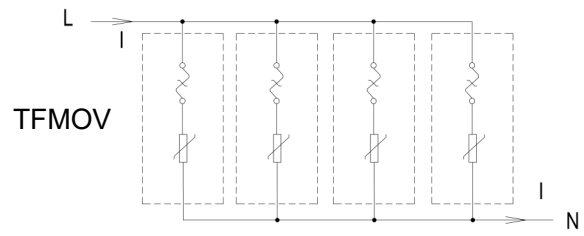


图 Figure.2

热保护型压敏电阻 TFMOV

Thermally Protected Varistors

认证信息 Agency Information

认证信息 Agency Information		标准 Standards	档案号 File NO.	类别 Category
	UL	UL 1449 4th Edition	E322662	VZCA2
	CUL	CSA C22.2 NO.8, CSA ECN 516	E322662	VZCA8
	TUV	EN 61643-11, EN 61643-31	详见具体型号 See the different models for details	
	CQC	GB 4943.1-2011, GB 8898-2011; GB/T 10193-1997, GB/T 10194-1997	详见具体型号 See the different models for details	
	CE	IEC/EN 61643-11, IEC/EN 61643-31	详见具体型号 See the different models for details	

专利 Patents

名称 Name	区域 Region	专利类别 Category	专利号 Patent NO.
设有合金型温度保险丝的压敏电阻 Varistor with In-built Alloy-Type Thermal Fuse	中国 China	发明专利 Patent for Invention	ZL 200510044661.5
一种具有过流过压过温保护功能的电源插座模块 A Protection Pluggable Module with Over Current、Over Voltage、 and Over Temperature Protection Function	中国 China	实用新型 Utility Model	ZL 201020244488.X
一种带有双重保护功能的压敏电阻器 A Varistor with Double Protection Function	中国 China	实用新型 Utility Model	ZL 201020255481.8
防雷插座用的防雷模块 Surge Protection Module Applicable for Power Strip	中国 China	实用新型 Utility Model	ZL 201120107173.5
一种防雷插座用的防雷模块 A Surge Protection Module Applicable for Power Strip	中国 China	发明专利 Patent for Invention	ZL 201110092261.7
新型的热保护压敏电阻及浪涌保护器 A New Type of Varistor and Surge Protective Device with Thermal Protection	中国 China	实用新型 Utility Model	ZL 201420306127.1
一种浪涌保护器 A Surge Protective Device	中国 China	实用新型 Utility Model	ZL 201420415059.2
一种热保护压敏电阻及其组合元件 A Varistor and Thermal Protection Component Combination	中国 China	实用新型 Utility Model	ZL 201520376567.9
具合金型温度保险丝的压敏电阻 合金型温度ヒューズ付のバリスタ	日本 Japan	实用新型 Utility Model	3142835
设有合金型温度保险丝的压敏电阻 Varistor with an Alloy-Type Temperature Fuse	澳大利亚 Australia	实用新型 Utility Model	2007100456
具合金型温度保險絲的壓敏電阻 Varistor with an Alloy-Type Temperature Fuse	台湾 Taiwan	实用新型 Utility Model	M 300855
设有合金型温度保险丝的压敏电阻 Varistor with an Alloy-type Temperature Fuse	加拿大 Canada	发明专利 Patent for Invention	2588819
设有合金型温度保险丝的压敏电阻 Metal Oxide Varistor with Built-in Alloy-Type Temperature Fuse	美国 USA	发明专利 Patent for Invention	US 8780521
设有合金型温度保险丝的压敏电阻-带外壳 Varistor with In-built Alloy Type Thermal Fuse (with Housing)	美国 USA	发明专利 Patent for Invention	US 9355763

热保护型压敏电阻 TFMOV

Thermally Protected Varistors

术语 Glossary

项目 Item	定义 Description
V_N	标称压敏电压 Nominal Varistor Voltage 在特定持续时间的脉冲电流下测得压敏电阻两端的电压。 Voltage, at specified d.c. current used as a reference point in the component characteristic.
8/20 μ s	8/20 冲击电流 Current Impulse 视在波前时间为8 μ s, 半峰值时间为20 μ s的冲击电流。 Current impulse with a nominal virtual front time of 8 μ s and a nominal time to half-value of 20 μ s. — (IEC 61643-11)
1.2/50 μ s	1.2/50 冲击电压 Voltage Impulse 视在波前时间为1.2 μ s, 半峰值时间为50 μ s的冲击电压。 Voltage impulse with a nominal virtual front time of 1.2 μ s and a nominal time to half-value of 50 μ s. — (IEC 61643-11)
U_c	最大持续工作电压 Maximum Continuous Operating Voltage 可连续地施加在SPD上的最大交流电压有效值。 Maximum r.m.s. voltage, which may be continuously applied to the SPD's mode of protection. — (IEC 61643-11)
I_n	标称放电电流 Nominal Discharge Current 流过SPD具有 8/20 波形电流的峰值 Crest value of the current through the SPD having a current waveshape of 8/20. — (IEC 61643-11)
I_{imp}	I 类试验的冲击电流 Impulse Discharge Current for Class I Test I_{imp} 由三个参数来定义: 电流峰值 I_{peak} 、电荷量 Q 和比能量 W/R Crest value of a discharge current through the SPD with specified charge transfer Q and specified energy W/R in the specified time. — (IEC 61643-11)
I_{max}	最大放电电流 Maximum Discharge Current 具有 8/20 波形和制造厂声称幅值的流过SPD电流的峰值。 I_{max} 等于或大于 I_n 。 Crest value of a current through the SPD having an 8/20 waveshape and magnitude according to the manufacturers specification. I_{max} is equal to or greater than I_n . — (IEC 61643-11)
V_c	钳位电压 Clamping Voltage 在标准大气压环境下, 压敏电阻中流过 8/20 等级电流脉冲时, 压敏电阻两端呈现的电压峰值。 Peak voltage developed across the varistor terminations under standard atmospheric conditions, when passing an 8/20 class current pulse.
C_v	电容量 Capacitance 特定频率和电压下压敏电阻两端测得的电容量。 Capacitance across the MOV measured at a specified frequency and voltage.

热保护型压敏电阻 TFMOV

Thermally Protected Varistors

术语 Glossary

项目 Item	定义 Description
Modes of protection	<p>保护模式 Modes of protection</p> <p>在端子间包含保护元器件的电流路径，例如相对相、相对地、相对中线、中线对地。 An intended current path, between terminals that contains protective components, e.g. line-to-line, line-to-earth, line-to-neutral, neutral-to-earth.</p> <p>— (IEC 61643-11)</p>
U_p	<p>电压保护水平 Voltage Protection Level</p> <p>由于施加规定陡度的冲击电压和规定幅值及波形的冲击电流而在SPD两端之间预期出现的最大电压 Maximum voltage to be expected at the SPD terminals due to an impulse stress with defined voltage steepness and an impulse stress with a discharge current with given amplitude and waveshape.</p> <p>— (IEC 61643-11)</p>
IP	<p>外壳防护等级 Degree of protection of enclosure</p> <p>外壳提供的防止触及危险的部件、防止外界固体异物进入和/或防止水的进入壳内的防护程度。 Classification preceded by the symbol IP indicating the extent of protection provided by an enclosure against access to hazardous parts, against ingress of solid foreign objects and possibly harmful ingress of water</p> <p>— (IEC 61643-11)</p>

热保护型压敏电阻 TFMOV

Thermally Protected Varistors



注意
ATTENTION

TFMOV

TFMOV

使用方法 Usage

1. 持续施加在热保护型压敏电阻上的电压不应超过其最大连续工作电压 U_c 。
The voltage applied continuously to the TFMOV can not exceed its maximum continuous operating voltage U_c .
2. 气压在45 kPa 到106 kPa, 对应海拔为+5000 m至- 500 m。
When atmosphere press is from 45 kPa to 106 kPa, the related altitude shall be from +2000 m to -500 m.
3. 通电情况下请勿直接触碰本体或引脚, 防止触电。
Do not touch the product body or pins directly when power is on, to avoid electric shock.
4. 请不要用酮类、酯类、苯类、卤代烃等极性溶剂清洗本产品, 以免破坏产品的封装层。
Do not clean the TFMOV with strong polar solvent such as ketone, esters, benzene, halogenated hydrocarbon, to avoid damaging the encapsulating layer.
5. 应用本产品的设备必须有可靠的接地线与大地相连。
It should have a reliable grounding when using these products.

更换 Replacement

基于安全原因, 热保护型压敏电阻是不可修复的产品, 替换时应使用同类别同型号的产品。
TFMOV is a non-repairable product. For safety sake, please use equivalent TFMOV for replacement.

存贮 Storage

热保护型压敏电阻的存贮应避免高温、高湿、日光直射和腐蚀性气体的场合, 避免影响引脚可焊性, 产品购入后请于1年内使用完。
Do not store TFMOV at high temperature, high humidity or corrosive gas environment. To avoid reducing the solderability of the pins, please use them up within 1 year after receiving the goods.

安装位置 Installation Position

勿将热保护型压敏电阻安装在可能经常出现剧烈振动的地方。
Do not install the TFMOV on a place that may often suffer severe continuous vibration.

热保护型压敏电阻 TFMOV

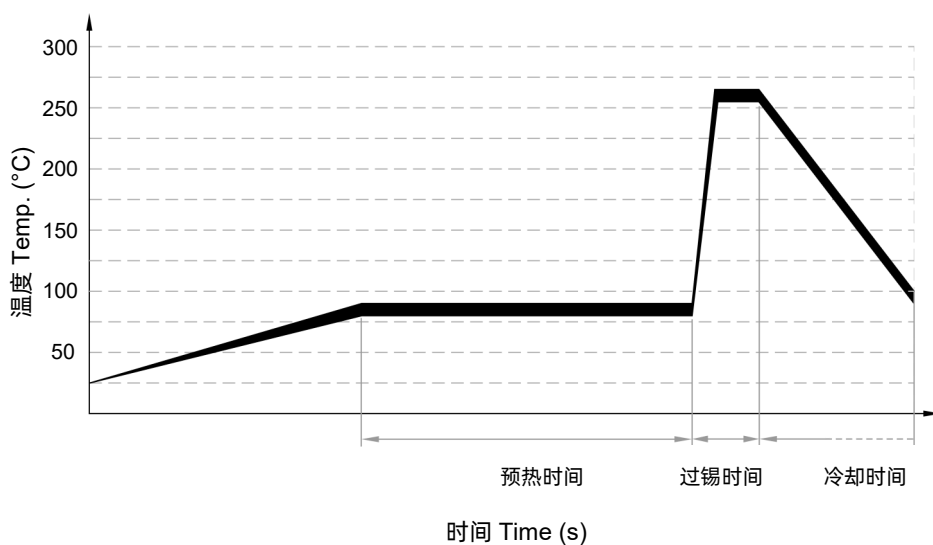
Thermally Protected Varistors

机械应力 Mechanical Stress

装配时应避免出现如敲击等作业方式，避免造成产品出现机械损伤。

Do not take violent action such as knocking when assembling to avoid mechanical damage.

波峰焊参数 (参考) Wave Soldering Parameters (For Reference Only)



项目 Items	温度 Temp. (°C)	时间 Time (s)
预热 Preheating	80 to 90	60 to 150
过锡 Dwelling	250 to 260	2 to 4

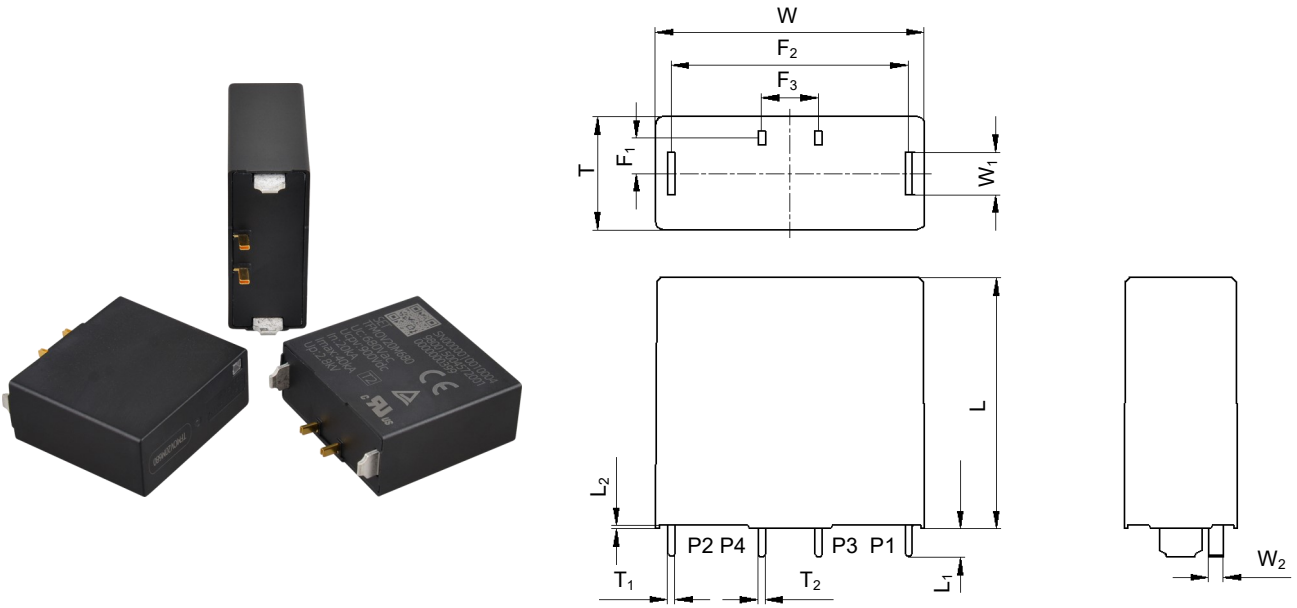
推荐的手工焊参数 Recommended Hand-Soldering Parameters

项目 Item	条件 Condition
烙铁头温度 Iron Temperature	350 °C (Max.)
焊接时间 Soldering Time	4 seconds (Max.)
焊接点距产品底部的距离 Distance between Soldering Point and the Bottom of Product	2 mm (Min.)

热保护型压敏电阻 TFMOV

Thermally Protected Varistors




TFMOV20M 系列 Series



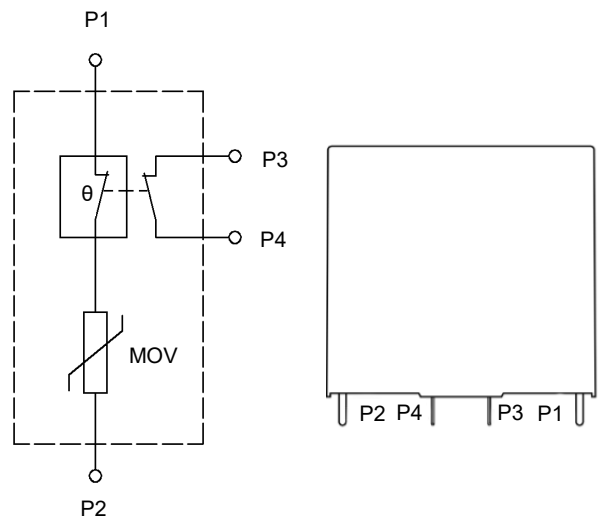
备注 Note: 单位 Unit: mm

L	L₁	L₂	W	W₁	W₂
35.5±1.0	4.0±0.5	0.5±0.3	38.0±1.0	6.0±0.5	2.0±0.3
T	T₁	T₂	F₁	F₂	F₃
16.0±1.0	1.0±0.2	1.0±0.2	5.0±0.5	33.5±0.5	8.0±0.5

安规认证 Agency Approvals

机构 Agency	标准 Standards	档案号 No.
	UL1449	E322662
	EN 61643-11 EN 61643-31	J 50493459 J 50497919
	EN 61643-11 EN 61643-31	AN 50494943 AN 50497842
环境 Environment	RoHS 2.0 & REACH	符合 Compliant

电气原理图 Schematics



热保护型压敏电阻 TFMOV

Thermally Protected Varistors

TFMOV20M 系列 Series

技术参数 Specifications

型号 Model	标称系统电压 Nominal System Voltage	标称压敏电压 Nominal Varistor Voltage @1mA	最大连续工作电压 Max. Continuous Operating Voltage		标称放电电流 Nominal Discharge Current (8/20 μs)	最大放电电流 Max. Discharge Current (8/20 μs)	电压保护水平 Voltage Protection Level	额定短路电流 SCCR	UL1449		EN 61643 -11	EN 6164 3-31	
	U_n	V_N	MCOV		I_n	I_{max}	U_p		(kA)	AC Type 1CA	DC Type 4CA	Class II	Class II
	(VAC)	(V)	U_c (VAC)	U_{cpv} (VDC)	(kA)	(kA)	(V)						
TFMOV20M50	24	82	50	-	20	40	400	-			•		
TFMOV20M60	48	100	60	-	20	40	450	-			•		
TFMOV20M75	60	120	75	-	20	40	450	-			•		
TFMOV20M95	60	150	95	-	20	40	500	-			•		
TFMOV20M115	108	180	115	-	20	40	500	-			•		
TFMOV20M130	120	200	130	-	20	40	600	-			•		
TFMOV20M140	120	220	140	-	20	40	600	-			•		
TFMOV20M150	120	240	150	-	20	40	700	-			•		
TFMOV20M175	120	270	175	-	20	40	700	200	•		•		
TFMOV20M190	120	300	190	-	20	40	750	-			•		
TFMOV20M210	120	330	210	-	20	40	800	-			•		
TFMOV20M230	120	360	230	-	20	40	900	-			•		
TFMOV20M250	220	390	250	-	20	40	1000	-			•		
TFMOV20M275	230	430	275	-	20	40	1100	-			•		
TFMOV20M300	240	470	300	-	20	40	1200	200	•		•		
TFMOV20M320	277	510	320	-	20	40	1300	-			•		
TFMOV20M350	277	560	350	-	20	40	1500	200	•		•		
TFMOV20M385	277	620	385	500	20	40	1800	-		•	•	•	
TFMOV20M420	347	680	420	560	20	40	1800	150	•	•	•	•	
TFMOV20M460	347	750	460	600	20	40	2000	-		•	•	•	
TFMOV20M510	347	820	510	670	20	40	2000	-		•	•	•	
TFMOV20M550	480	910	550	720	20	40	2500	150	•	•	•	•	
TFMOV20M625	480	1000	625	800	20	40	2500	-		•	•	•	
TFMOV20M680	480	1100	680	900	20	40	2800	-		•	•	•	
TFMOV20M750	480	1200	750	1000	20	40	3300	-		•	•	•	

备注 Notes::

电压保护水平 (U_p) 根据计算结果按 IEC 61643-11:2011 6.4条款优选值选定。

电压保护水平优选值(kV): 0.08, 0.09, 0.10, 0.12, 0.15, 0.22, 0.33, 0.4, 0.5, 0.6, 0.7, 0.8, 0.9, 1.0, 1.2, 1.5, 1.8, 2.0, 2.5, 3.0, 4.0, 5.0, 6.0, 8.0, 10.

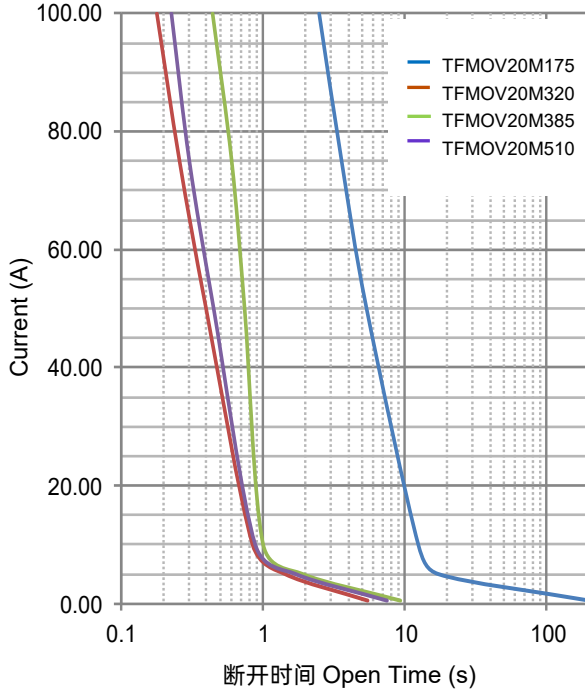
The Value of Voltage Protection Level (U_p) is determined according to IEC 61643-11:2011 clause 6.4.

Preferred values of voltage protection level (kV): 0.08, 0.09, 0.10, 0.12, 0.15, 0.22, 0.33, 0.4, 0.5, 0.6, 0.7, 0.8, 0.9, 1.0, 1.2, 1.5, 1.8, 2.0, 2.5, 3.0, 4.0, 5.0, 6.0, 8.0, 10.

性能曲线 Performance Curve

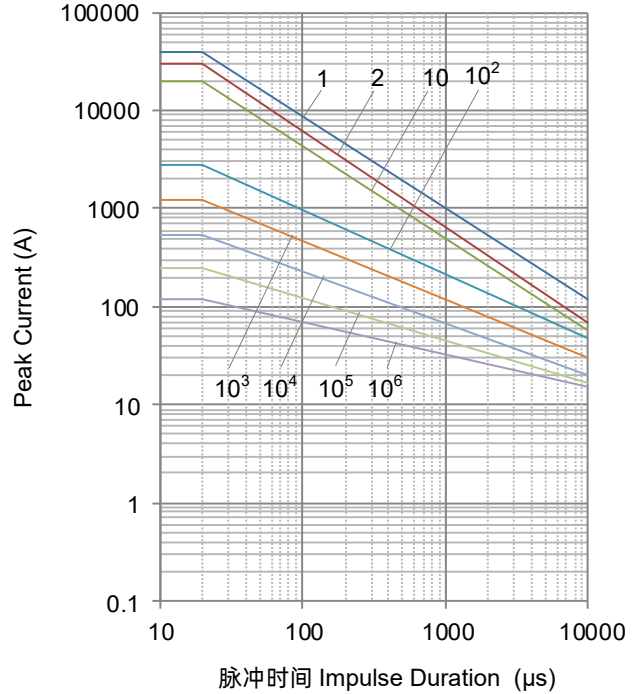
受限电流测试曲线 (UL 1449 4th 44.4章)

Limited Current Test Curve (UL 1449 4th clause 44.4)



冲击电流降额曲线

Max. Peak Current Derating Curve



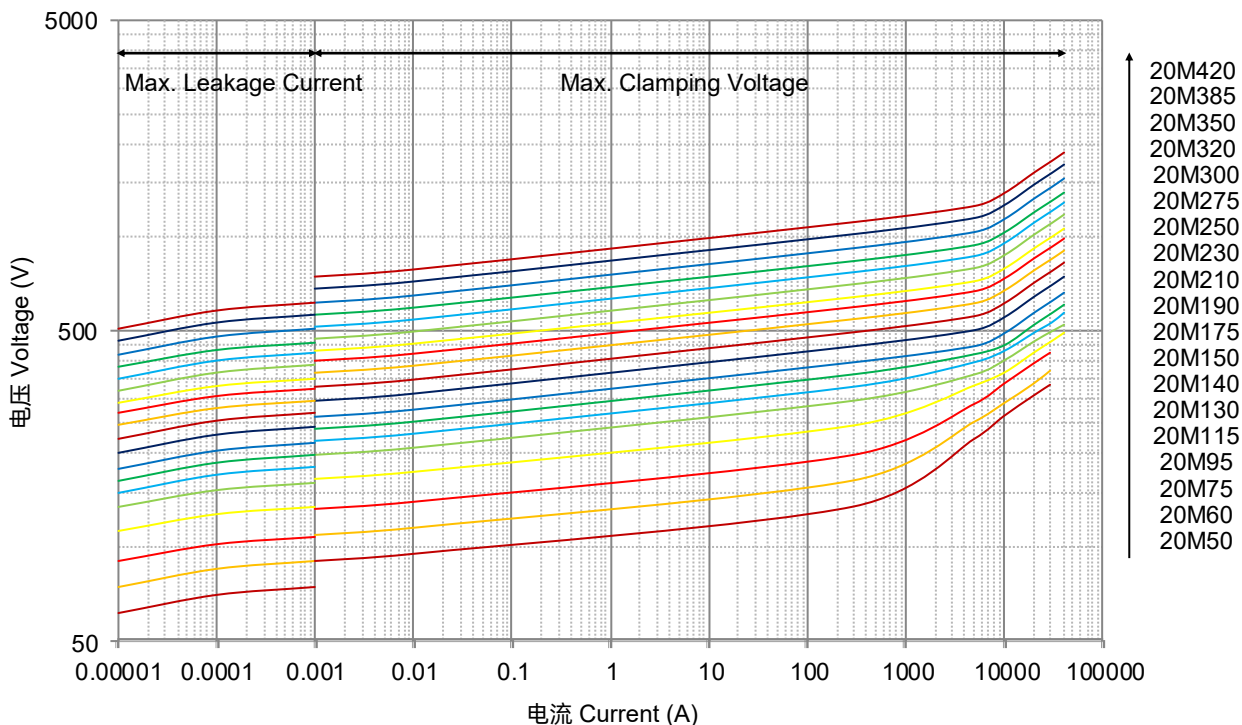
备注: 受限电流测试曲线仅供参考

Note: The limited current test curve is for reference only.

备注 Note:

1, 2, 10, 10², 10³, 10⁴, 10⁵, 10⁶ 代表重复次数 Stand for number of repetitions.

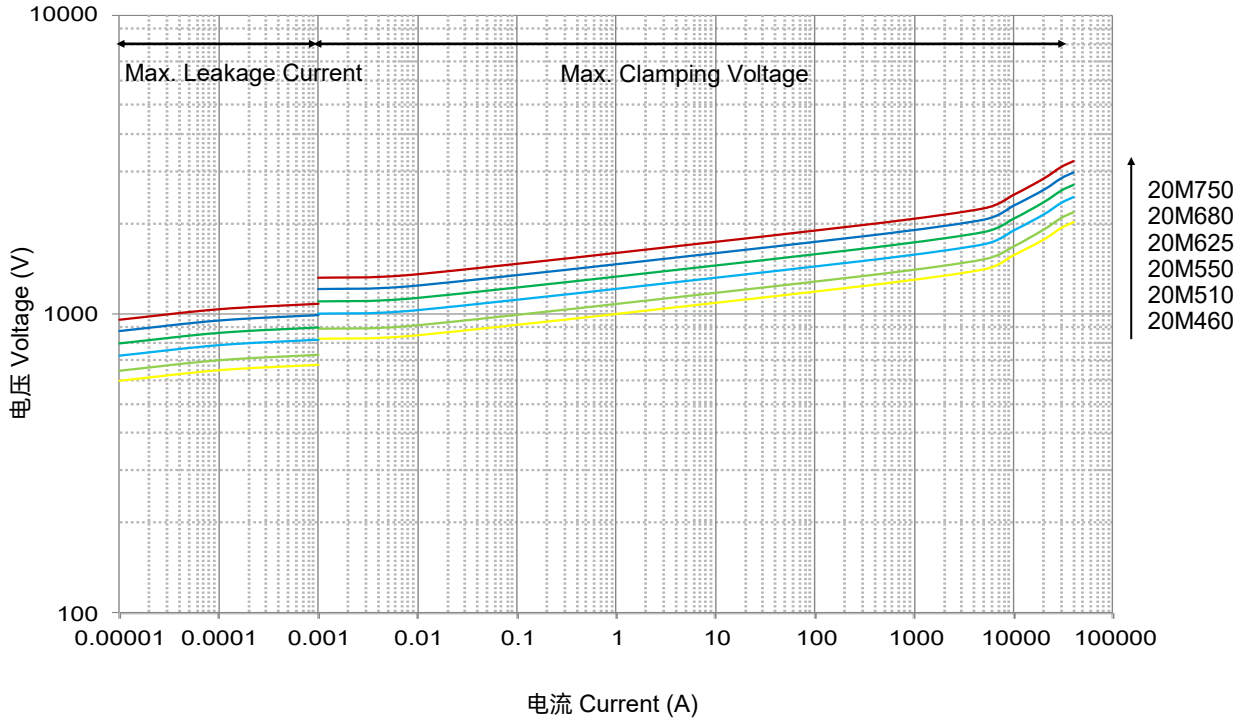
伏安特性曲线 Voltage-Current Characteristic Curves



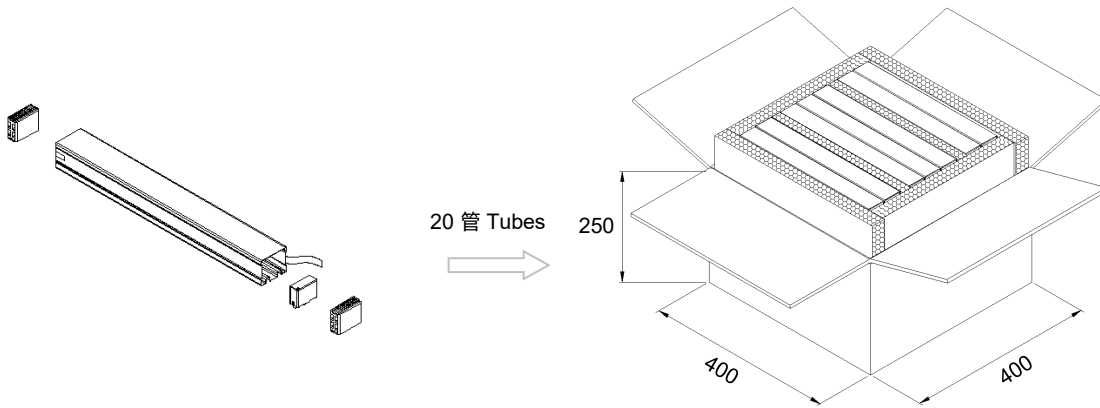
热保护型压敏电阻 TFMOV

Thermally Protected Varistors

TFMOV20M 系列 Series



包装信息 Packaging Information



单位 Unit: mm

有特殊包装需求请联系我们

Please contact us if you have special packaging requirements.

项目 Item	管 Tube	箱 Carton
尺寸 Dimensions (mm)	46 × 43 × 318	400 × 400 × 250
数量 Quantity (PCS)	17	340